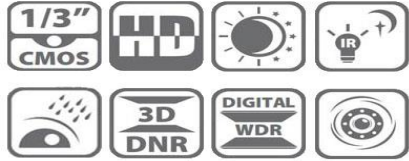




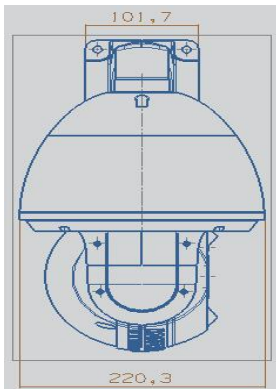
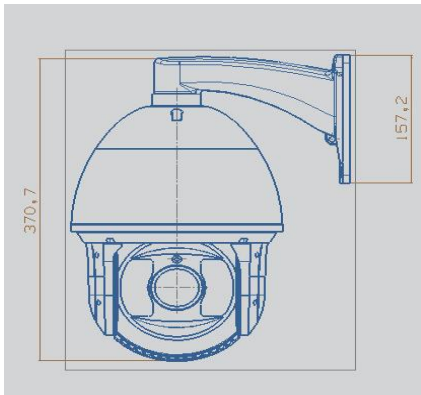
5.0 MP IP Speed Dome PTZ



Function Characteristic:

- Adopt high performance 1/1.8" CMOS.
- Support dual stream compression technology.
- Using imported dot matrix large glass lamps and imported high speed glass lamp light, to ensure the IR distance 150 m; product life can reach 30,000 hours.
- Intelligent infrared control technology can automatically control the infrared light according to the environment. Under the premise of ensuring monitoring results, it can effectively enhance the infrared lamp's life and ensure the product stability.
- Constant current circuit design, to ensure stable operation of the infrared light. And it won't reduce the infrared lamps' life which caused by the changing of the power supply.
- Efficient cooling structure, using physical means heat, which can effectively reduce the temperature of the inside dome camera, to prevent the inner to be fogging, and to ensure the machine's stability.

Dimensions:



Model No.	XP-8450X36-IP
Signal model	PAL/NTSC
Image sensor	1/1.8" CMOS
Effective pixel	2592 (H) x1920 (V)
Horizontal resolution	5MP
Minimum illumination	Color:0.01Lux,B/W:0.001Lux
S/N ratio	>60dB
Backlight compensation	On/off
White balance	Auto
Electronic shutter	PAL:1/25~1/100000s NTSC:1/30~1/100000s
Focus length	5-90mm
Zoom	36x
Focus system	Auto/Manual
IR distance	200m
IR light control	Intelligent control technology
IR light angle	Infrared zoom matching technology
IR light power	Manual setting
IR on	Day/Night/Auto/Timing
IR life	30000hours
Horizontal range	360°Continuous rotation
Vertical range	-90°~0°
Preset call speed	Max 200°/S
Manual call speed	0.01°~180°/S
Presets	255
Cruise track	8 groups, each group for 16 presets
Patrol track	4 groups, each group record 3 mins
Video compression	H.264 Main Profile encoding ; MJPEG / JPEG Baseline encoding
Audio compression	G.711, G.726
Primary stream	1920 * 1080 25fps
Secondary stream	VGA, QVGA 25fps
Video bit rate	32Kbps-16Mbps continuously adjustable, support CBR / VBR
Network protocol	TCP/IP, UDP, RTP, RTSP, RTCP, HTTP, DNS, DDNS, DHCP, FTP, NTP, PPPOE, SMTP, UPNP
ONVIF support	Support
Cooling Structure	Dustproof structure outside the circle
Protection level	IP66
Power supply	DC12V(4A)
Power	35W
Work temperature	-35-65°C